



VERTICAL DELINEATION





K71 Traffic Post



ONE OF A KIND



TECHNOLOGY FOR OUR TIMES



MULTI APPLICATIONS

SELF RE-ERECTING MARKER POSTS

TEMPORARY OR PERMANENT



BICYCLE LANES



CROSSWALKS



CHANNELIZATION



BRIDGES



URBAN AREAS



WORK ZONES



K71 Traffic Post

Bicycle and Pedestrians Bold Measures take Bold Product Solutions



Protected Bike Lanes

Over the past 20 years, US Reflector K71 flexible post has helped redefine bike lanes across north America. The K71 bollards wide body design provides a much greater visual separation of traffic and bicycle lanes when compared to thinner commonly used traffic posts designed for work zones.

The K71 post is equipped with 2 recessed 4-inch reflective colors providing excellent nighttime visibility. Easy to install and remove the K71 post has become part of the Vision Zero program helping redefining safer roadways for the future.

The K71 post 7.5-inch diameter helps motorists and bicyclists identify bike lanes from standard thin construction posts.



Bicycle impact safe, collapsible, no sharp objects, 29 inches height for safe handle bar passage, Installation: Quick and easy single point anchoring

Watch Protected Bike Lanes Video
<https://www.youtube.com/watch?v=5e713fusSdw>



K71 Traffic Post



K71 FLEXIBLE POST

SELF RE-ERECTING



The K71 flexible marker post is a single piece design traffic calming device that is manufactured with a unique blend of polyethylene and UV inhibitors. The combination of these materials offers exceptional softness characteristics and remarkable re-erecting memory.

Strong and durable with no springs or pivoting devices, the K71 takes just seconds for removal and re-installation. Bright vibrant colors and 4 inch reflective collars bring extra clarity to all types of safety installations. The K71 can be utilized in a wide range of safety enhancement applications temporary or permanent with the use of optional attachments.

Optional connection solutions

- Glue down Rubber base
- Channelizers



Rubber Base



Channelizers

ALL-ROUND RUGGEDNESS single piece design, self-re-erecting Marker Post.

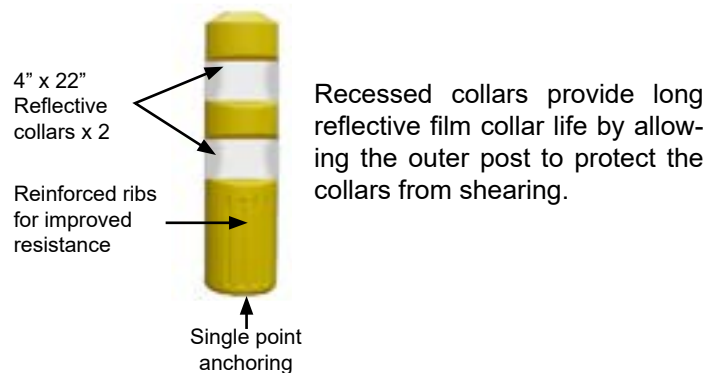
K71 Self Re-Erecting Marker Posts are built to resist impacts over 65 m.p.h.. continuously without damaging the post or vehicle. Designed for superior traffic control, the K71 Marker Post "gives" under impact and re-erects into its vertical position without the use of springs or pivoting devices.

The K71 Marker Post takes just seconds for removal and re-installation, protects work site personnel and provides long-term safety for all road users.



ALL AROUND RUGGEDNESS

Self-Re-Erecting Marker Post, both rugged and flexible, withstands pulling, shearing and folding forces. Impervious to weather and temperature differences.

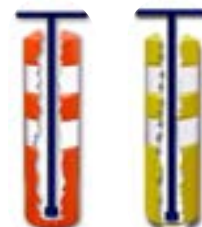


SINGLE POINT ANCHORING SYSTEM

K-71 Posts are designed with a single point anchor system that promotes quick installation and removal. K-71 post can be anchored directly to a road surface or glued to the surface using an optional disk plate. The K-71 anchor sleeve adhesive system ensures a sealed surface bond eliminating water infiltration; unlike lag bolts and lag shields

No anchor hardware required

The K71's anchor attachment system is built into the inside of the post eliminating the problems of lost or missing hardware. All that is needed is a T-bar for installation and removal.





K71 Traffic Post



INSTALLATION AND HARDWARE



UNIVERSAL - RUGGED - COMPACT - DURABLE - FLEXIBLE - SOFT

One piece anchoring

Designed for quick and effortless intervention.

Reflective film

Recessed collars for reflective film protection.

Excellent resistance to impacts

K71 Flexible Posts continue to perform even when struck at speeds exceeding 65 m.p.h. with their specially designed anchored base.

Easily Reusable

The Flexible Marker Post can be used multiple times by simply adding new sleeves in different locations.

Temporary Markers

Promote traffic flow while enhancing safety without having to worry about fallen or stolen barrels or cones.



Drill
1-2 min



Clean
5 Sec



Adhesive
15-30 seconds



Insert Sleeve
< 1 minute

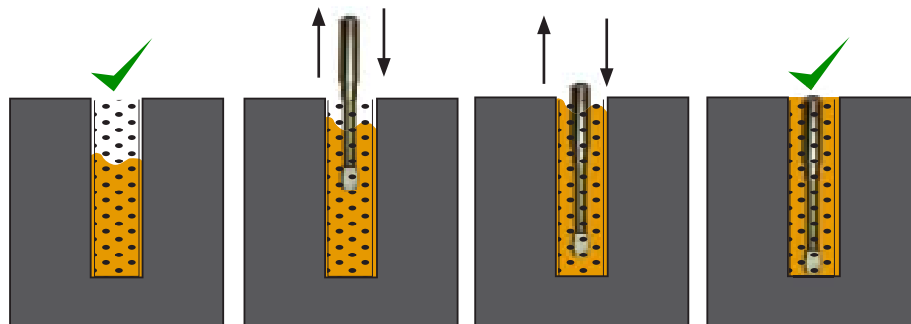


Position
15 seconds



Install post
15 seconds

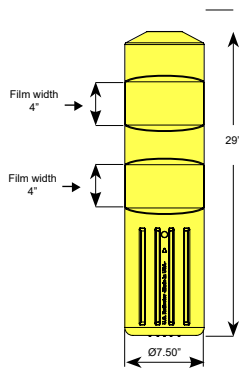
Anchor Sleeve Installation



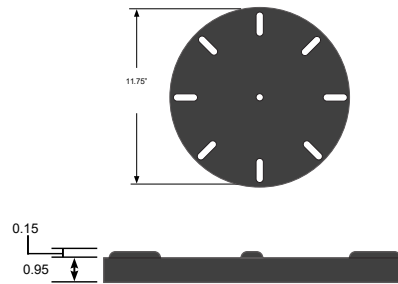
Watch installation Video

<https://www.youtube.com/watch?v=UQ-W3z3wltM&t=2s>

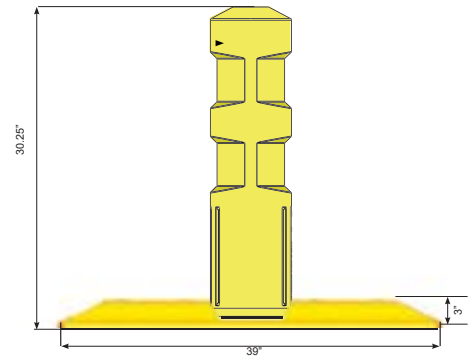
SPECIFICATIONS



K71 Post

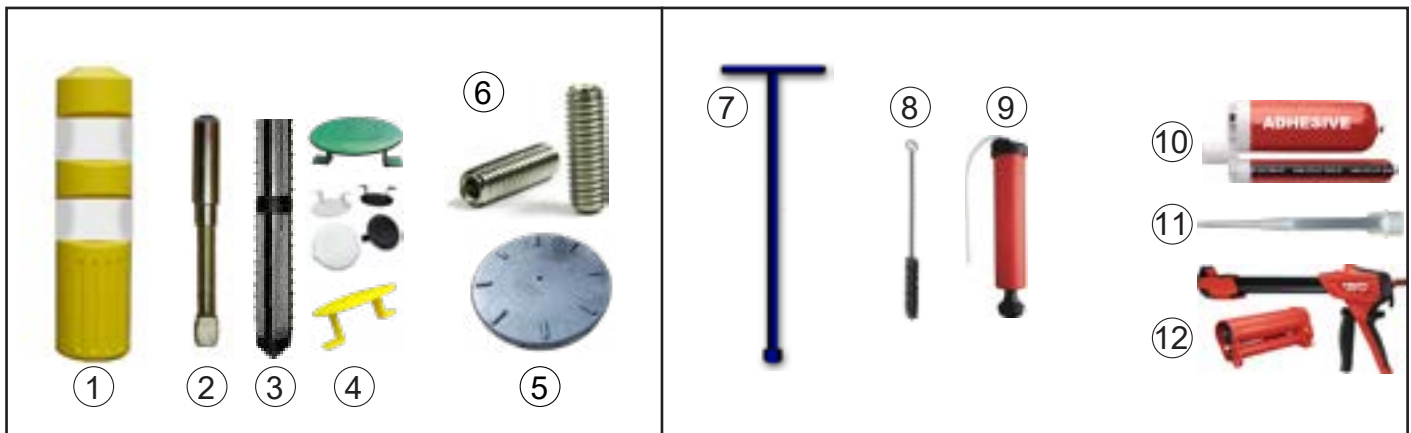


Rubber Base



Channelizer

INSTALLATION MATERIALS



Ref	Description	Part Number
1	K71 Traffic Post	4A-0400
2	Metal anchor sleeve (For asphalt & concrete)	4A-HDW-0926
3	Nylon reinforcement screen (For asphalt only)	4A-C-HDW-0930-SCRN
4	Post cap (Optional)	4A-0400-CAPS-(COLOR)
5	Rubber base (Use for glue down or portable weighted)	4A-0400-BASE-K71/K72
6	Anti-Debris Set Screw (Protect anchor sleeve during post removal)	4A-HDW-0935-M
7	T-Bar use for installation & removal of K71 Post	4A-HDW-0925
8	Wire brush for hole cleaning debris	4A-HDW-1inch-brush
9	Air Pump gun for cleaning hole	4A-ADH-Air-Pump-HT
10	2 Part adhesive for bonding metal anchor sleeve	4A-ADH-HY200R-112-1
11	Replacement nozzle for 2-part adhesive	4A-ADH-HY200-NOZ
12	Manual pump gun for injecting 2-part adhesive	4A-ADH-RE500-DISPENSER With Red Cartridge
13	Channelizer available in white and yellow	EVA-C-12262-W-YK71-YHI