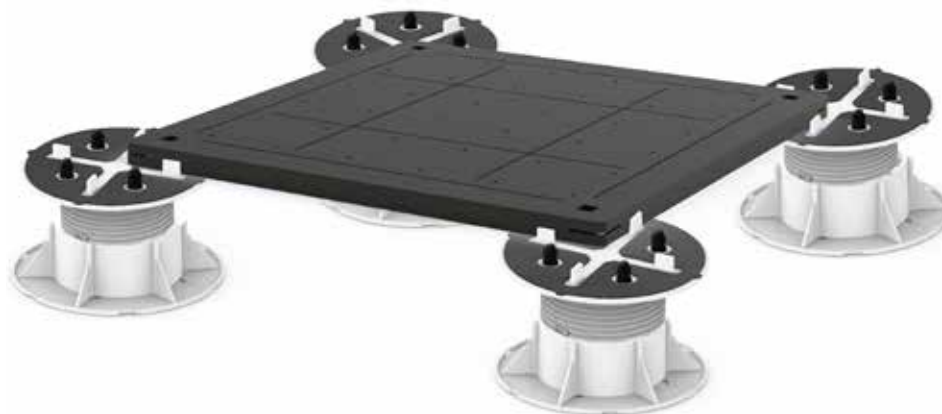
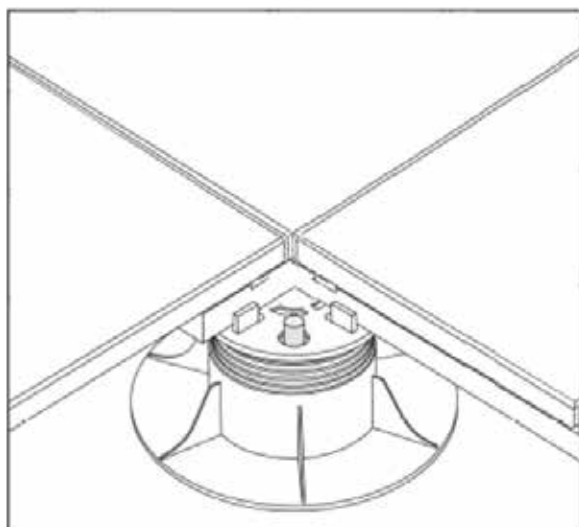


## GRO STRUCTURAL/PAVER GRATE FASTENING KIT

GRO Structural Grate Fastening Kit for use with the GRO Structural Grate and Paver Grate provide a secure connection between pedestals and the finished deck surface. The weight of the grates and the finished deck surface, whether it is artificial turf, a green roof system, planters, or pavers, creates a monolithic system to hold the system in place and mitigate against wind uplift.



### PLASTIC PINS



GRO Structural Grates have a predrilled hole in the back of grate to secure a plastic pin which provides a connection to the pedestals. Once all grates are in place, the plastic pins are invisible, and ensure a safe, secure, and level surface. With our plastic pin fastening kit removal of grates for repairs and maintenance is simple and straightforward.

### **Structural/Paver Grate Kit Installation:**

Align the holes on the underside of the structural/paver grate with the plastic pins in the pedestals. Push down on pavers until connection is complete.